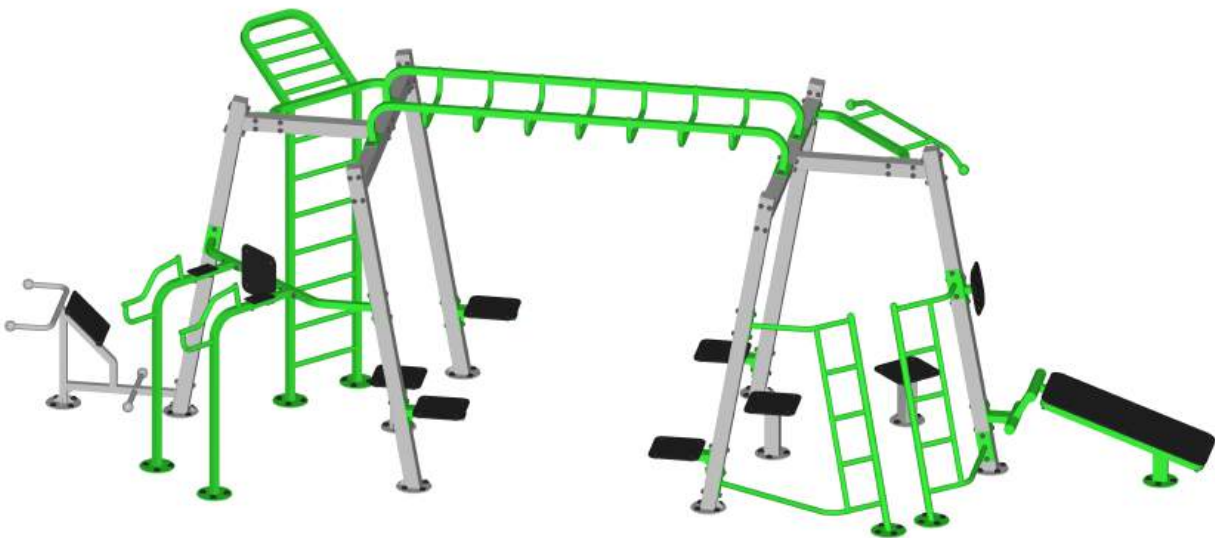


Specifications and Installation

ExoCage (ECC)

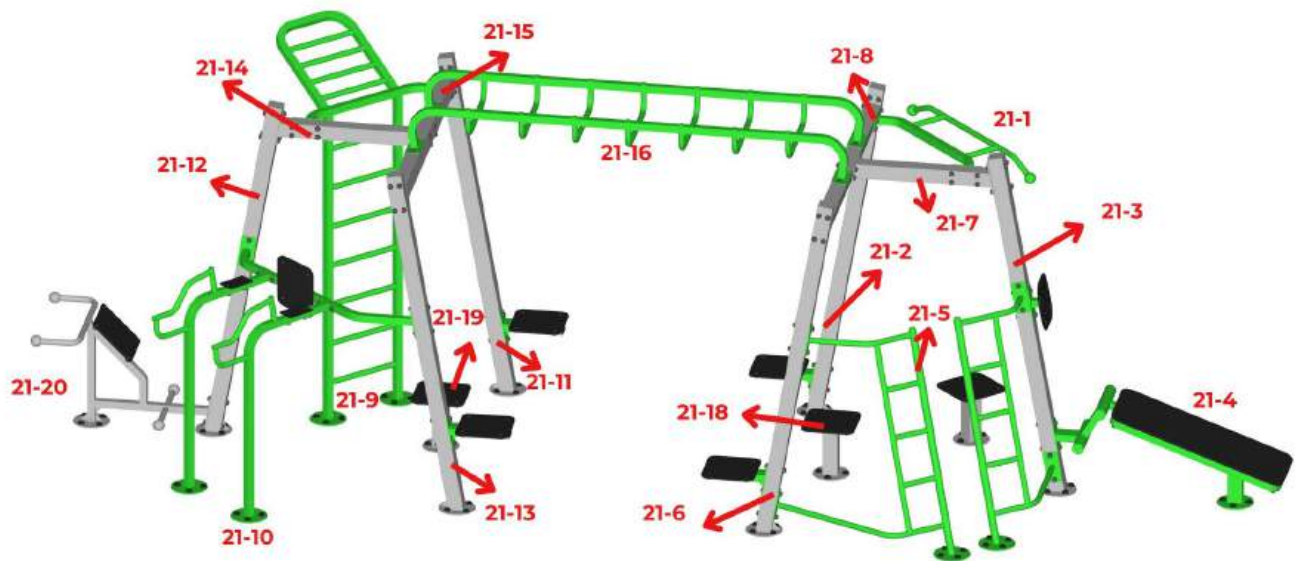


ExoFit Outdoor Fitness Equipment

***** AFTER EQUIPMENT IS INSTALLED, REMOVE ALL FILM OFF LABELS *****

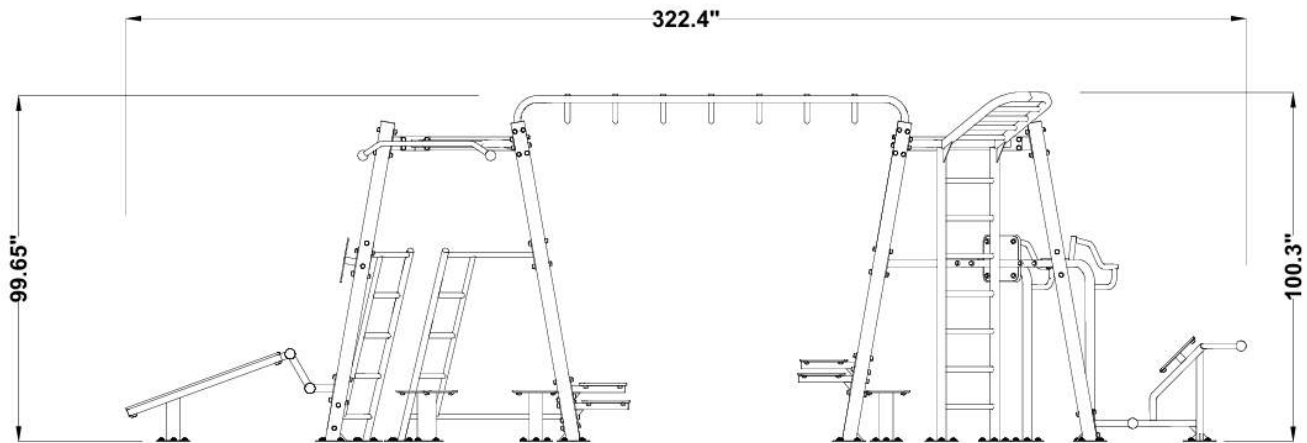
EXOCAGE PART LIST

Item No.	Included in Pack 21	Description	Connection Details
21-1	VPUS (21-1)	VARIABLE PULL-UP STATION	-
21-2	COLUMN 1 (21-2)	ATTACHED STEP 1	CONNECT WITH VPUS 21-1 (VARIABLE PULL-UP STATION)
21-3	COLUMN 2 (21-3)	ATTACHED SUB TARGET	CONNECT WITH VPUS 21-1, SUB 21-4, VPUS 2 (21-5)
21-4	SUB (21-4)	DECLINE SIT UP BENCH WITH BALL TARGET	-
21-5	VPUS 2 x 2 (21-5)	VARIABLE PUSH-UP STATION	-
21-6	COLUMN 3 (21-6)	ATTACHED STEP 2	CONNECT WITH VPUS 2 (21-5) (VARIABLE PUSH-UP STATION)
21-7	CROSS BAR 4-1 (21-7)	-	CONNECT WITH COLUMN 2 (21-3)
21-8	CROSS BAR 4-2 (21-8)	-	CONNECT WITH COLUMN 1 (21-1) AND COLUMN 3 (21-6)
21-9	SL (21-9)	SWEDISH LADDER	-
21-10	LLSx3 (21-10)	KNEE LIFT STATION	-
21-11	COLUMN 4 (21-11)	ATTACHED STEP 3	CONNECT WITH SL (21-9)-SWEDISH LADDER
21-12	COLUMN 5 (21-12)	ATTACHED BATTLE ROPES LOOP	CONNECT WITH SL (21-9) AND LLS (21-10)
21-13	COLUMN 6 (21-13)	ATTACHED STEP 4	CONNECT WITH LLS (21-10)
21-14	CROSS BAR 4-3 (21-14)	-	CONNECT WITH COLUMN 5 (21-12)
21-15	CROSS BAR 4-4 (21-15)	-	CONNECT WITH COLUMN 4 (21-11) AND COLUMN 6 (21-13)
21-16	HL (21-16)	HORIZONTAL LADDER	-
21-17	STEP 3-1 (21-17)	INDIVIDUAL ONE	-
21-18	STEP 3-2 (21-18)	INDIVIDUAL ONE	-
21-19	STEP 3-3 (21-19)	INDIVIDUAL ONE	-
21-20	BACK EXTENSION (21-20)	INDIVIDUAL ONE	-
21-21	ADDITIONAL PARTS (21-21)	SECURITY CAPS+NUT PROTECTORS	-

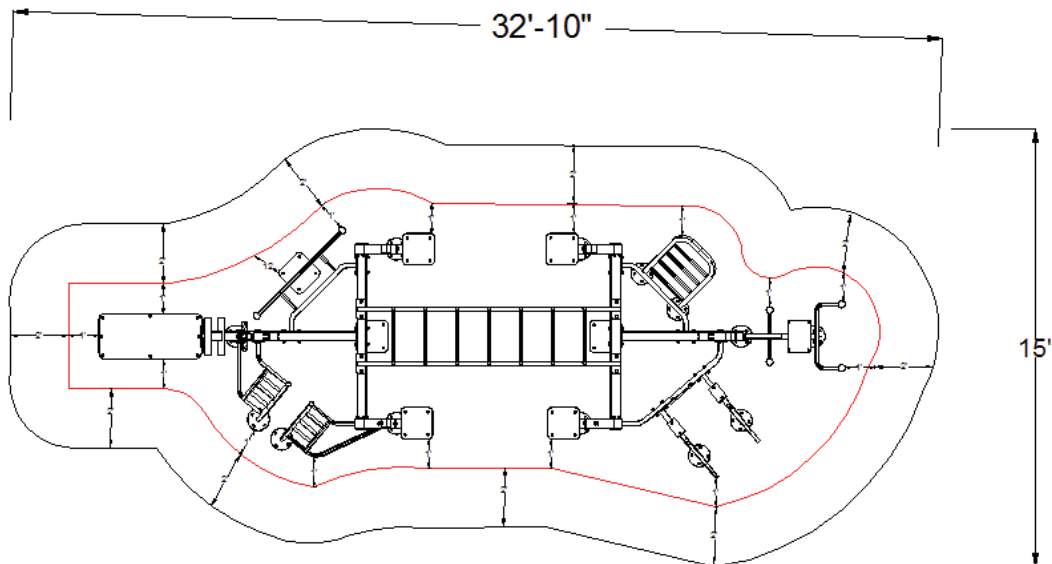


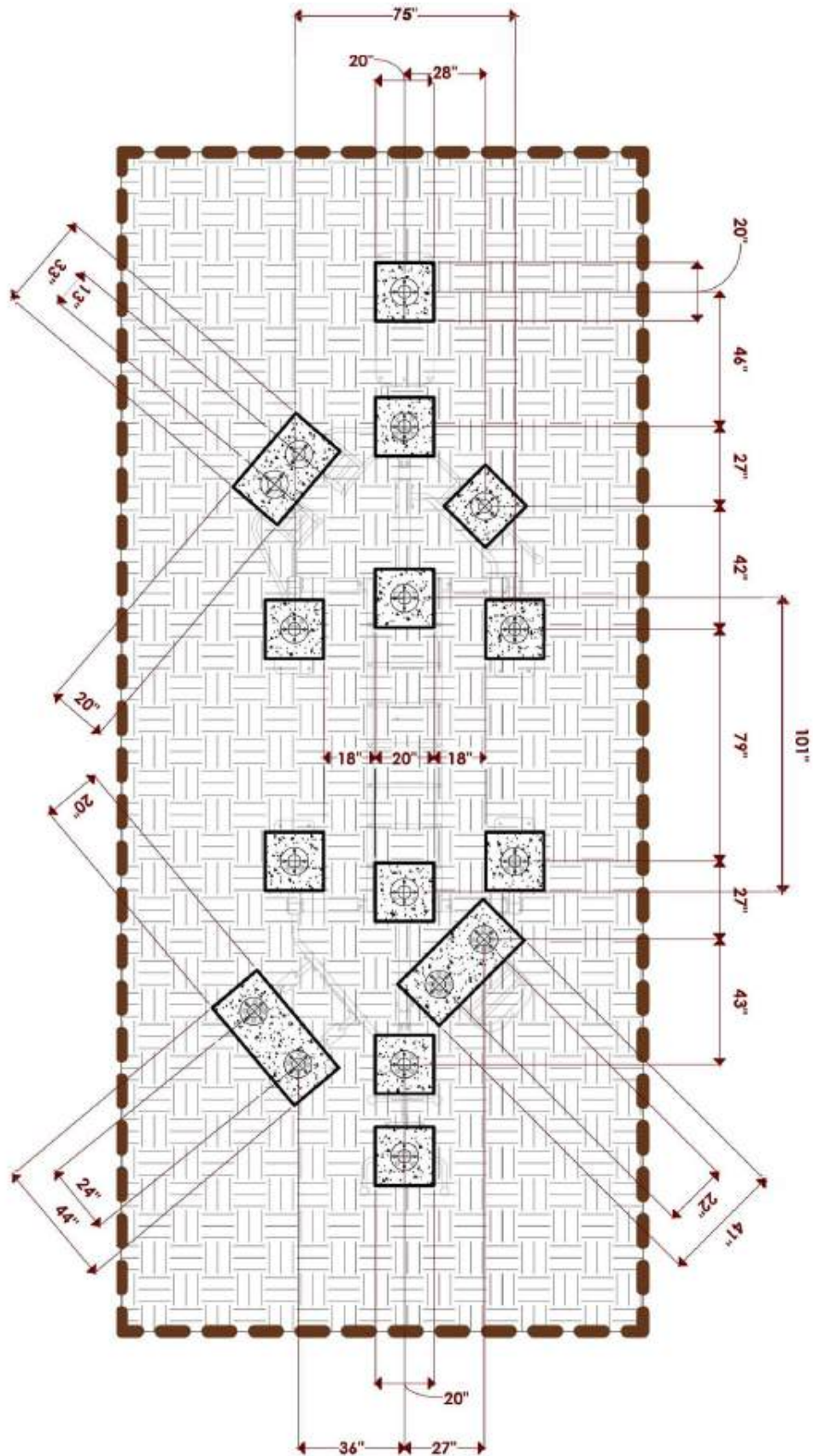
*****AFTER EQUIPMENT IS INSTALLED, REMOVE ALL FILM OFF LABELS*****

DIMENSIONS:



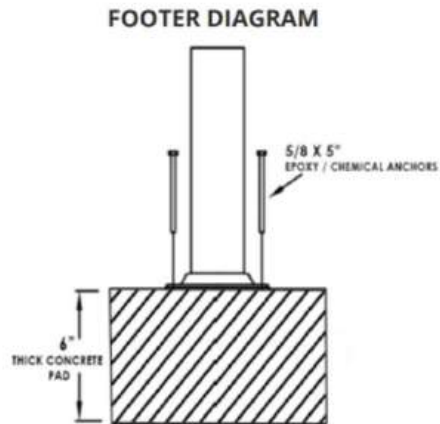
USE ZONE:





***** AFTER EQUIPMENT IS INSTALLED, REMOVE ALL FILM OFF LABELS *****

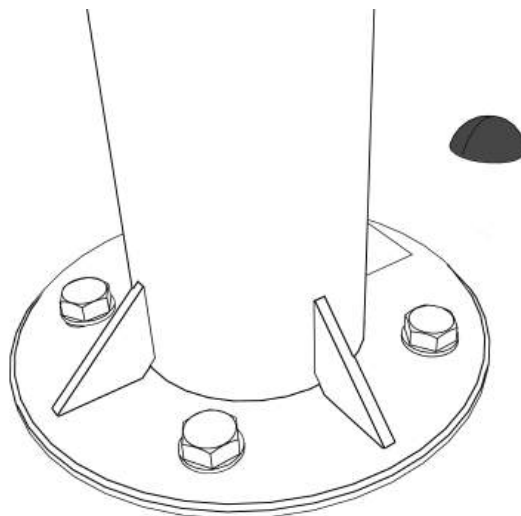
SURFACE MOUNT INSTALLATION:



For best results, a 6" thick concrete pad is recommended.

5/8" x 5" Epoxy/Chemical Anchors are recommended for Surface Mount.
(epoxy anchors not included)

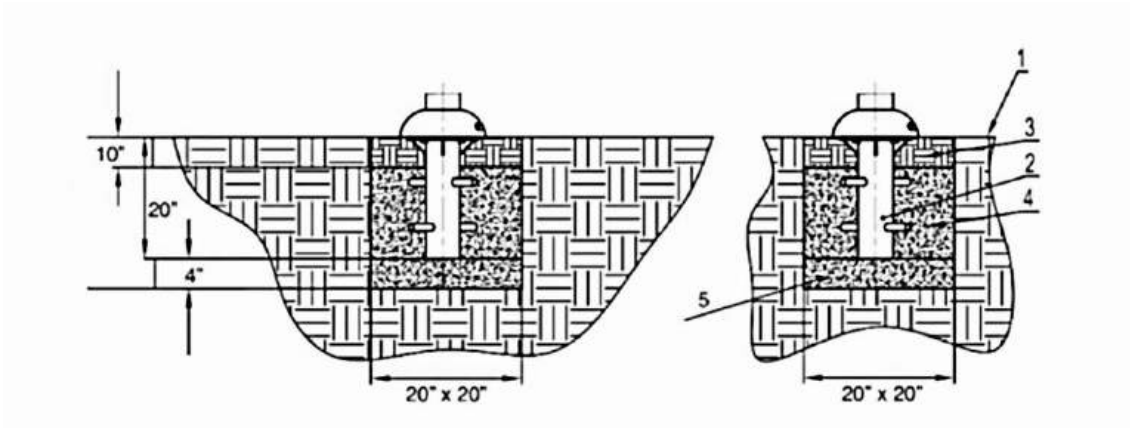
Bolt Caps



***** AFTER EQUIPMENT IS INSTALLED, REMOVE ALL FILM OFF LABELS *****

IN-GROUND MOUNT INSTALLATION:

Attach embedded anchors to the bottom of all posts first before putting them into footers. All bolts needed for in-ground installation of the embedded anchors are attached to the anchors.



Ref	Name
1	Ground Level
2	Anchor
3	Topsoil
4	Concrete
5	Concrete Block

FOR SOFTER SOIL CONDITIONS, WE RECOMMEND 30" L x 30" W x 24" H.