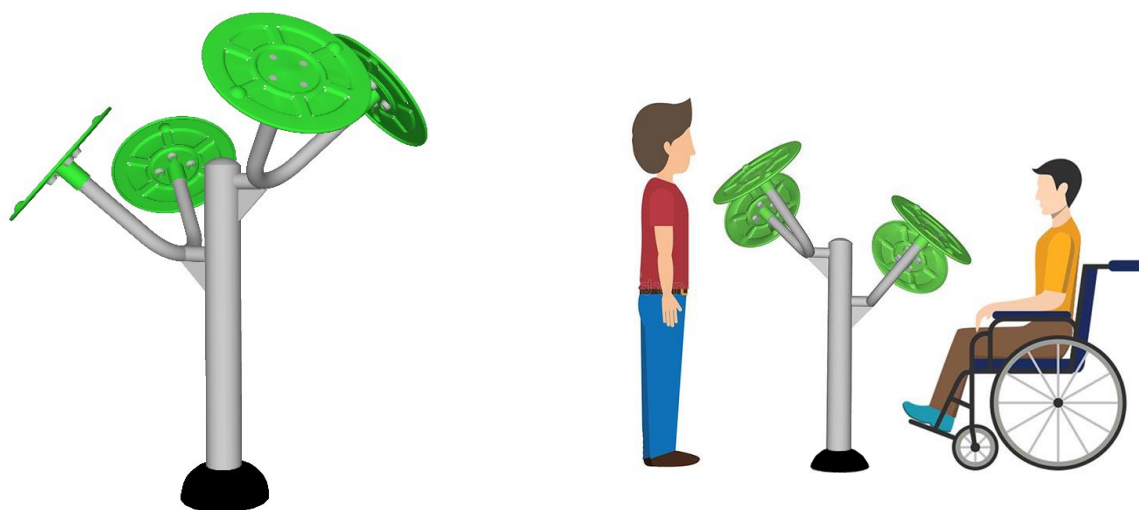


## Specifications and Installation

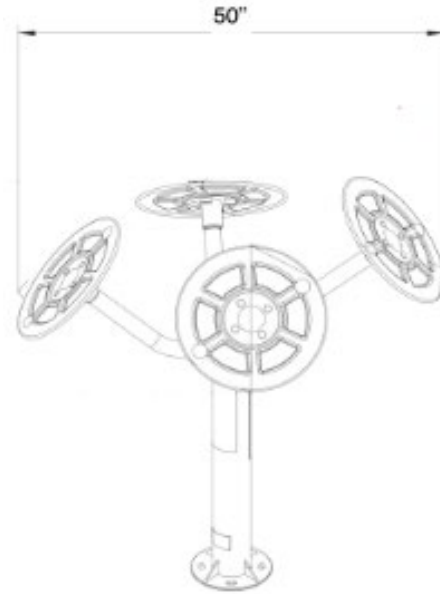
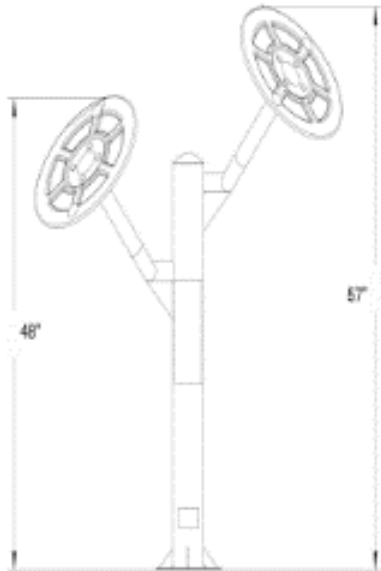
# Wheelchair Accessible Tai Chi Spinners (DTCS)



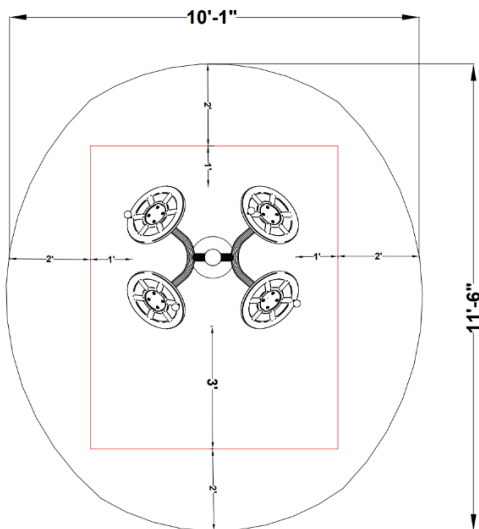
*ExoFit Outdoor Fitness Equipment*

**\*\*\*AFTER EQUIPMENT IS INSTALLED, REMOVE ALL FILM OFF LABELS\*\*\***

**DIMENSIONS:**

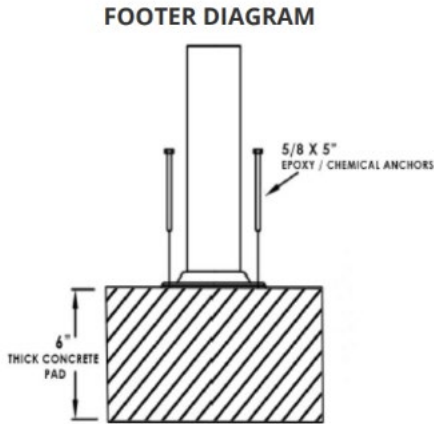


**USE ZONE:**



**\*\*\* AFTER EQUIPMENT IS INSTALLED, REMOVE ALL FILM OFF LABELS \*\*\***

**SURFACE MOUNT INSTALLATION:**

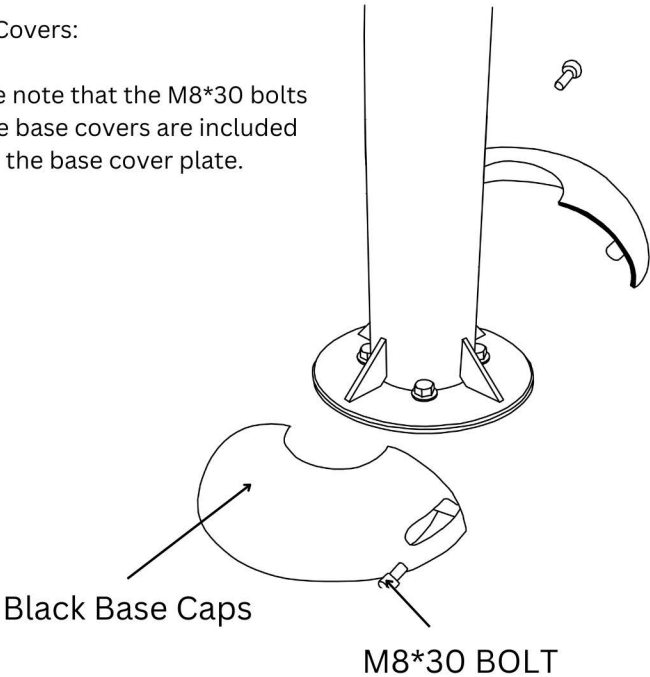


For best results, a 6" thick concrete pad is recommended.

5/8" x 5" Epoxy/Chemical Anchors are recommended for Surface Mount.  
*(epoxy anchors not included)*

**Base Covers:**

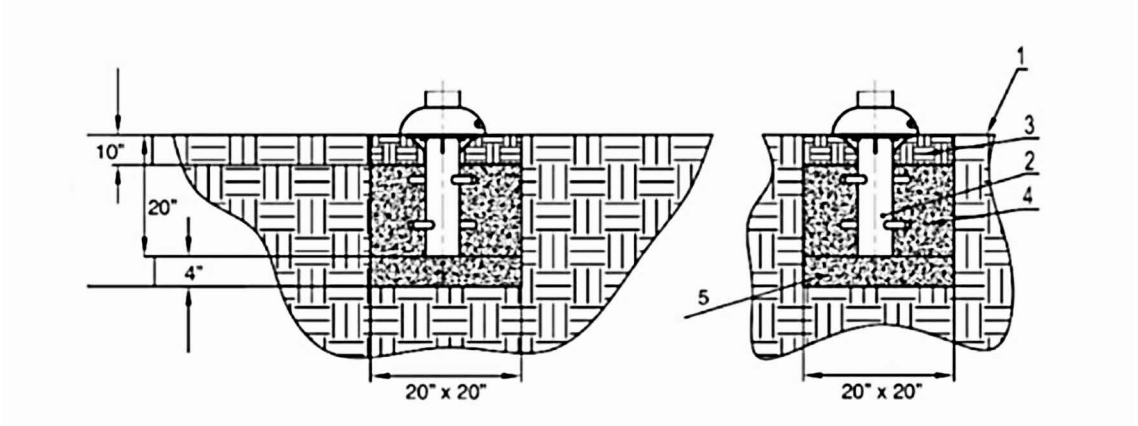
Please note that the M8\*30 bolts for the base covers are included inside the base cover plate.



**\*\*\* AFTER EQUIPMENT IS INSTALLED, REMOVE ALL FILM OFF LABELS \*\*\***

**IN-GROUND MOUNT INSTALLATION:**

Attach embedded anchors to the bottom of all posts first before putting them into footers. All bolts needed for in-ground installation of the embedded anchors are attached to the anchors.



Ref	Name
1	Ground Level
2	Anchor
3	Topsoil
4	Concrete
5	Concrete Block

**FOR SOFTER SOIL CONDITIONS, WE RECOMMEND 30" L x 30" W x 24" H.**