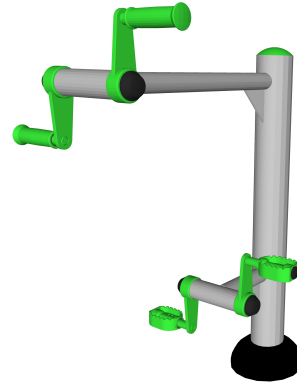
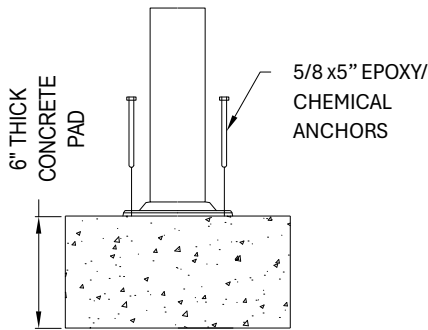




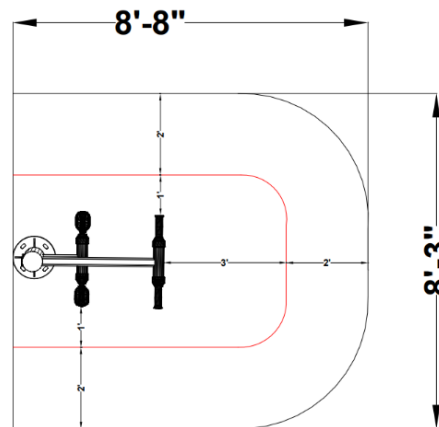
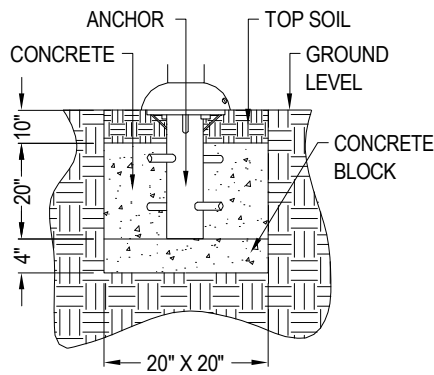
6300 METRO  
 PLANTATION RD  
 FORT MYERS, FL 33966  
 PHONE: (800) 527-0797  
[info@exo.fit](mailto:info@exo.fit) / [www.exo.fit](http://www.exo.fit)

**WC ARM/FOOT WHEEL**

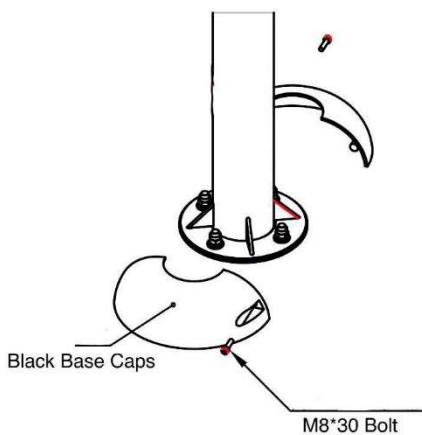
**SURFACE MOUNT**



**IN-GROUND MOUNT**



**BASE COVERS (1)**



**WC ARM/FOOT WHEEL**  
**DAPB II**  
 Exofit Outdoor Fitness  
 71.5 SQ FT



**SPECIFICATIONS:**

**Users:** (1) Intended for use by ages 13 and older.

**Fall Height:** N/A\*

**Weight:** 66 lbs.

***\*Does not require impact-attenuating surfacing.***